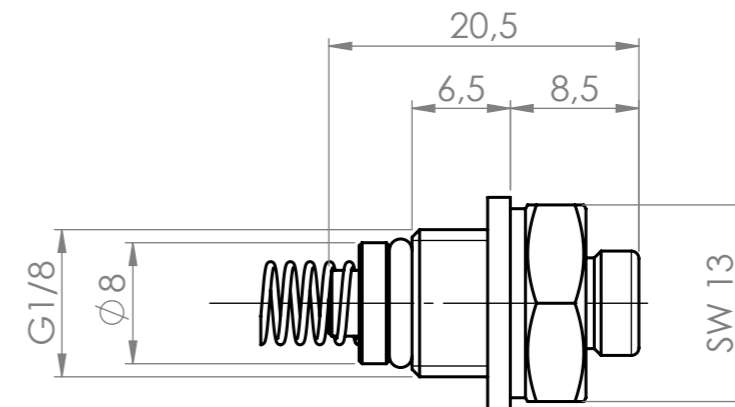

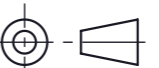


QC90000



QC90001

|   |   |   |            |       |      |       |
|---|---|---|------------|-------|------|-------|
| MATERIAL  |   | TREATMENT   |            |       |      |       |
| <br><b>InClatec</b><br>Innovative Clamping Technology<br>+31 (0)493-399193<br>www.InClatec.com | COPYRIGHT © RESERVED<br>BREAK SHARP CORNERS AND REMOVE BURRS<br>GENERAL ROUGHNESS Ra ✓<br>GENERAL TOLERANCES<br> | DRAWN BY  | DRAWN DATE | SCALE | SIZE | SHEET |
|   |   |   |            | 2:1   | A3   | 1 / 1 |
|   |   | DESCRIPTION<br><b>ASSEMBLY HOLES</b><br>Air Jet Valve QC90000 / QC90001 |            |       |      |       |
|   |   | DRAWING NR  | REVISION   |       |      |       |
|   |   | FILENAME  |            |       |      |       |